

Manufacturers & Distributors of Quality Stainless Steel Electric Grills

**Electri - Chef®**

FLAMELESS ELECTRIC GRILLS

**4400-EC-336-TT-24"**



Electri-Chef® Grill shown with optional Rotisserie attachment



S.S. Cooking Grids



Cool-Touch Handle



10-60 Minute Timers

**Built in Texas by Texans**

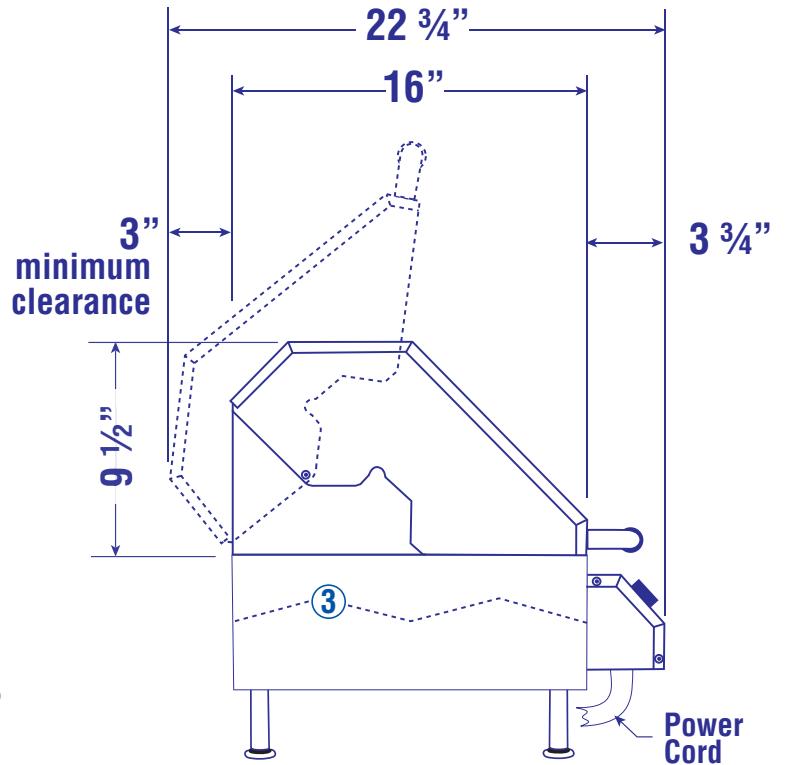
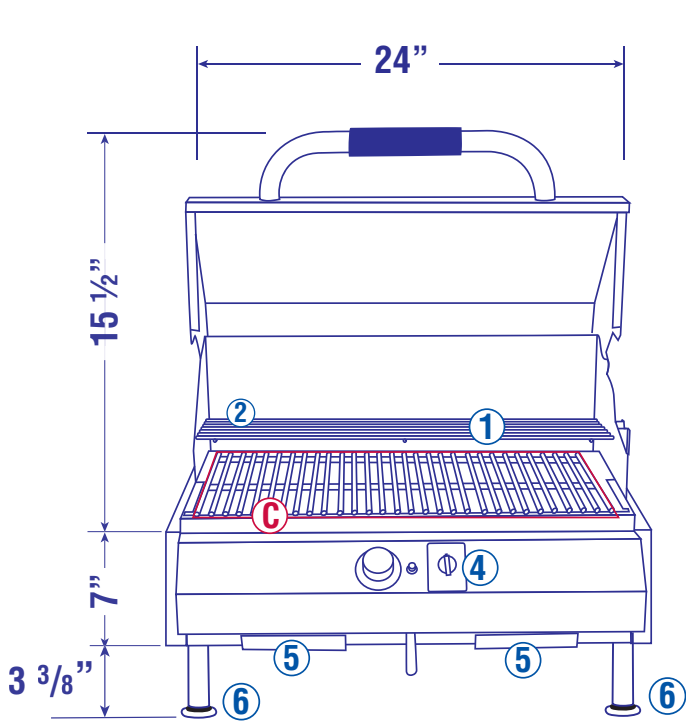
See back for more information



800-442-7207 • 254-778-7730 • [www.electri-chef.com](http://www.electri-chef.com) • e-mail: [info@electri-chef.com](mailto:info@electri-chef.com)

No Open Flame

# 4400-EC-336-TT-24"



## Standard Features

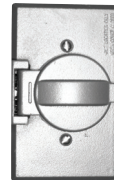
- 18 Gauge, 304 Stainless Steel, #3 Finish
- Grill Dimensions
  - 24" Wide
  - 16" Deep (Front to Back - requires 3" minimum clearance in back for open hood)
  - 15 1/2" High (top of counter to handle - open hood)
  - Adjustable Cooking Temperature from 150° - 600°

- Ⓒ Cooking Area 336 sq. in. (14" x 32")
- ① Stainless Steel Warming Rack
- ② Stainless Steel Cooking Grids (3)  
(5/16" x 8" x 14" - fits in dishwasher)
- ③ Stainless Steel Heat-Flavor Plate
- ④ 10-60 Minute Timer
- ⑤ Removable Grease Trays (2)
- ⑥ Stainless Steel Legs (4)

## Required Outlet Nema 6-20R receptacle



208/220 Volt 20 Amp receptacle  
50/60 Hz



w/ weathercap

## Warranties

**LIFETIME WARRANTED** - The Stainless Steel Grill Assemblies and Cooking Grids of this product are warranted for the lifetime of the original consumer purchaser from the date of purchase, against defects in materials and workmanship.

**1 YEAR WARRANTED** - All other components, electrical or mechanical are warranted to the original consumer purchaser for a minimum of one (1) year from the date of purchase or the warranty time of the manufacture of the component, electrical or mechanical, whichever warranty time period is longer, against defects in materials and workmanship.



*When only the best will do!*



No Open Flame